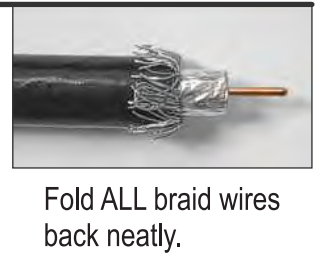
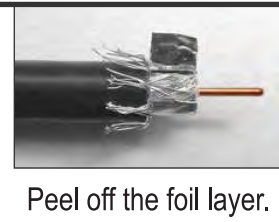
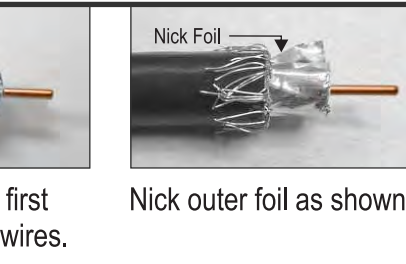
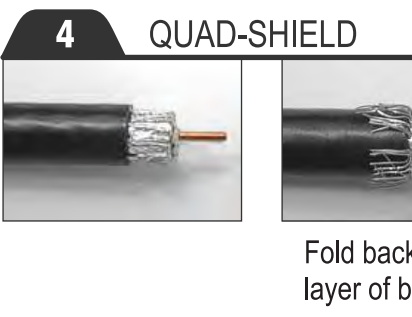
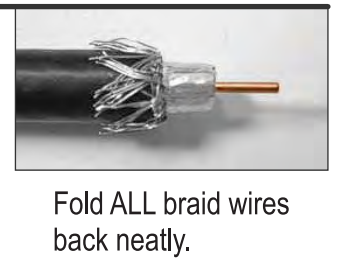
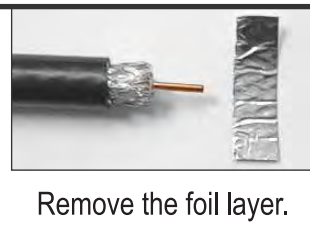
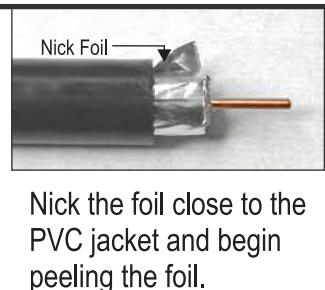
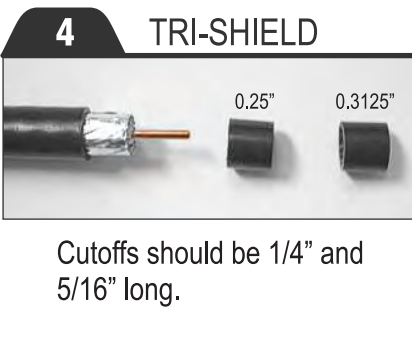
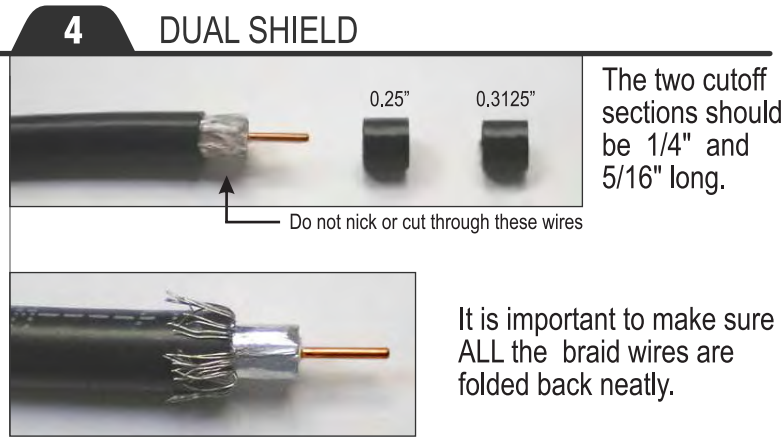
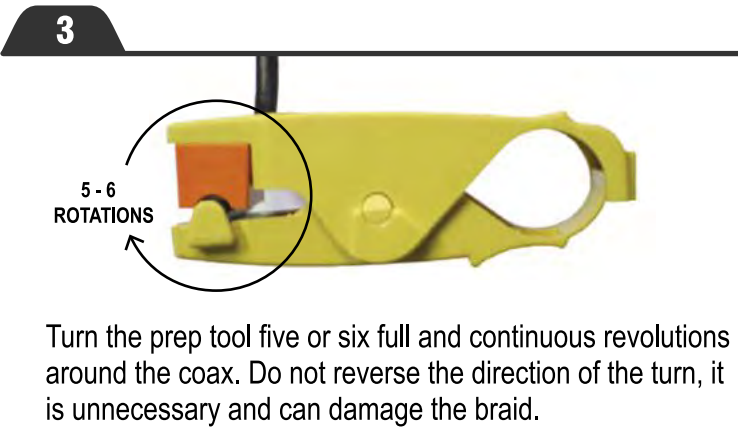
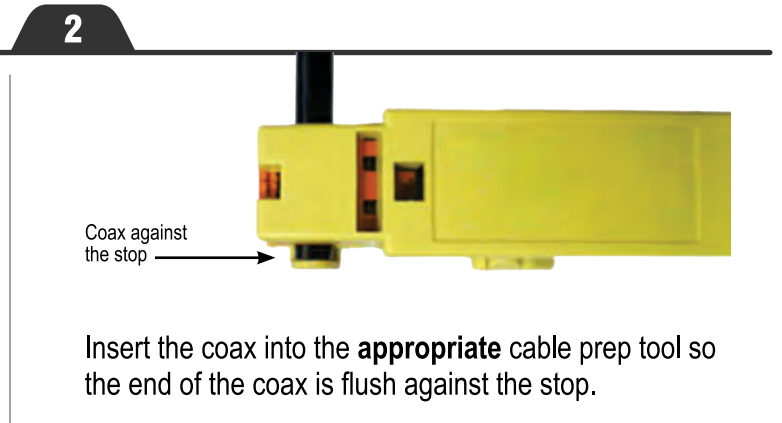
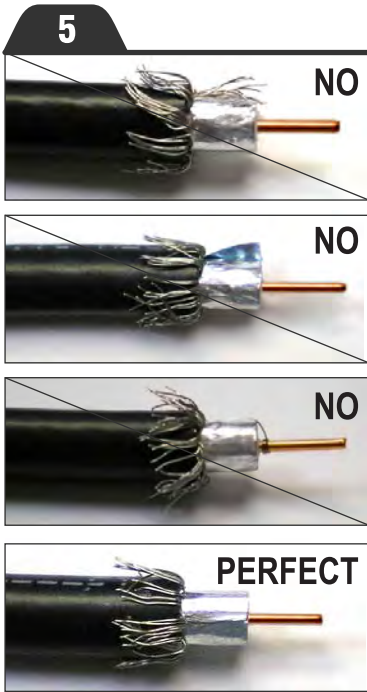


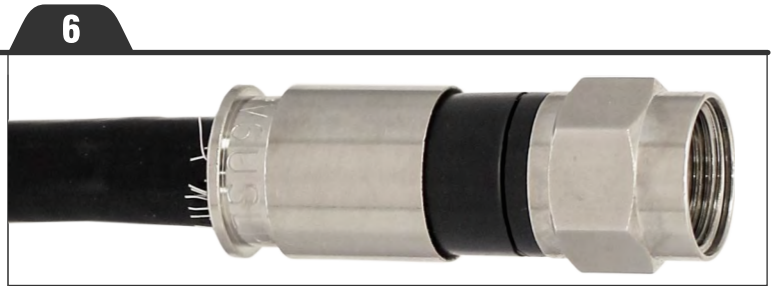
Cut the end of the cable cleanly with sharp cutters at a 90° angle.





Inspect your work carefully before attempting to install the connector. Look for all of these issues.

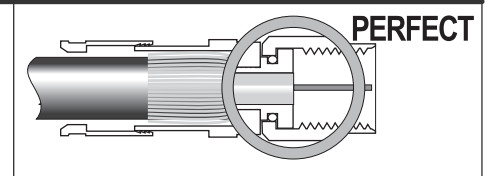
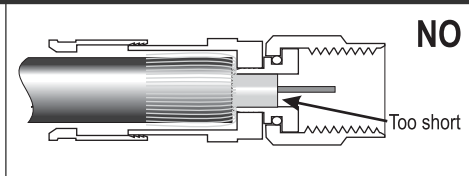
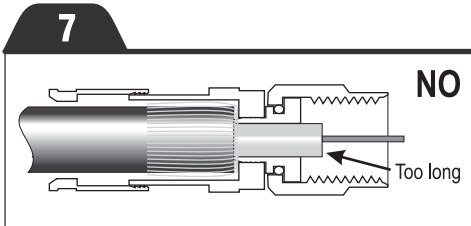
Also look closely at the innermost aluminum jacket to ensure it is laying flat against the white dielectric foam.



◀ ◀ ◀ Gently Press

Gently fit the connector onto the coax cable. Ensure the dielectric and foil shield enters the connector post without damage to the foil.

Press the connector onto the cable until the white dielectric foam is flush with the inside face of the connector.



The connector will slide down into the coax smoothly if you have aligned everything properly.



Compress the connector with a 21 mm compression tool to the compression optimization line.