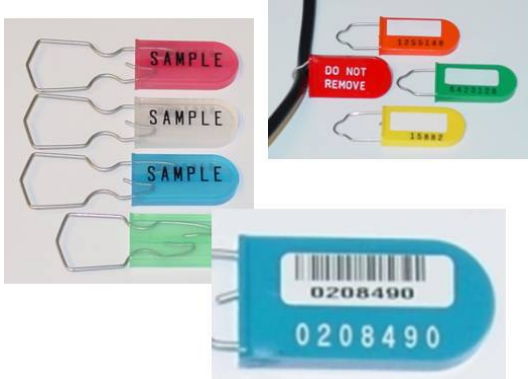




PLASTIC PADLOCK SEALS



Plastic Padlock seals come in a variety of hasps and numerous colors. Often used on utility meters or co-axial cable the Plastic Padlock is U.S. Customs approved. Widely used by the airline industry the padlock offers anti-pilferage diversity.

APPLICATIONS

- ✂ Aircraft liquor carts
- ✂ US & UK Customs Approved
- ✂ Drums
- ✂ Hoppers
- ✂ Medical cabinets
- ✂ Switches
- ✂ Valves
- ✂ Utility meters

PACKAGING

- ✂ 50 seals per wire bundle
- ✂ Optional bagging – 100 seals per bag
- ✂ 1,000 per box, 5 boxes per master carton
- ✂ Box dimensions: 10 1/2" X 15" X 30"
- ✂ Gross weight 9 lbs. per 1,000 for Regular Hasps, 8 lbs. per 1,000 for Cable Hasps

SPECIFICATIONS

- ✂ Materials: Polyethylene (standard), Polypropylene (optional), Transparent (optional)
- ✂ Body size: .75" X 1.50" X .17", Wire dimensions: **Regular hasps:** .047", 18 AWG **Coaxial hasps:** .041", 19 AWG
- ✂ Breaking strength: 100 lbs. (Regular hasp)
- ✂ Custom printing up to 39 characters on three lines and sequential numbering up to 7 digits
- ✂ Bar-coding with serial number replicated in hot-stamping for added tamper resistance.
- ✂ Logos are available by request
- ✂ Write-on areas available on one or both sides
- ✂ Colors available are white, green, yellow, orange, blue, red, gray, brown, ivory, gold, purple, burgundy, teal, pink, light blue, rust, black, and custom colors upon request

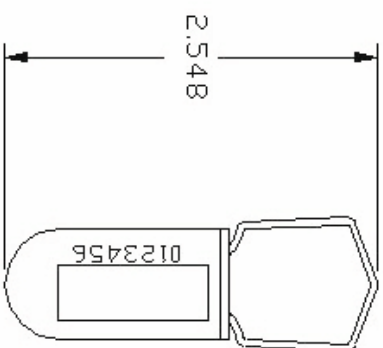
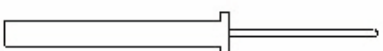
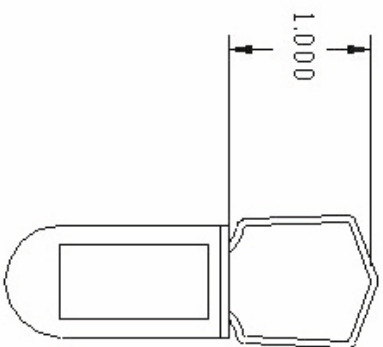
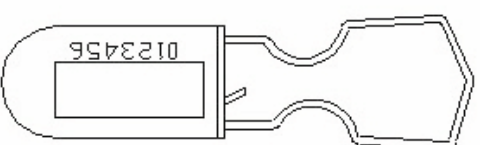
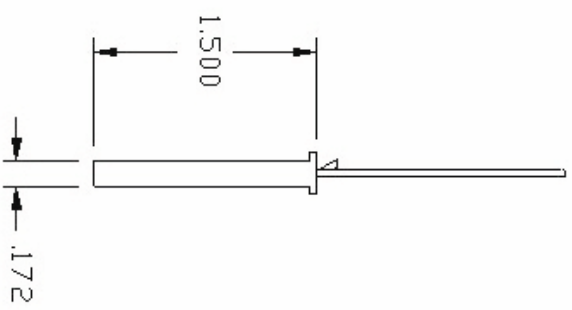
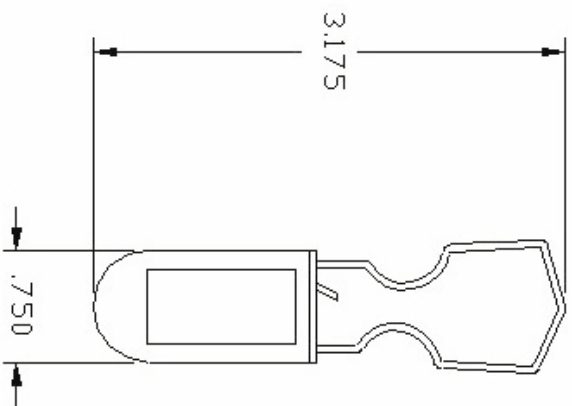
FEATURES

- ✂ Corrosion resistant galvanized wire, stainless steel optional
- ✂ Also available in stainless steel for added life or for use in the food industry
- ✂ Varieties of hasp designs including one specially shaped to grasp coaxial cable
- ✂ UV protection to ensure consistent color and added seal life available in many colors but not all
- ✂ Recyclable
- ✂ Stock seals available for rush shipments hot stamped "SECURED" with sequential numbering and various options
- ✂ Bar-code and hot stamped numbers available on the same seal
- ✂ Optional scoring available for tool-less removal

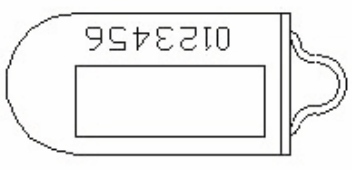
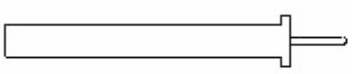
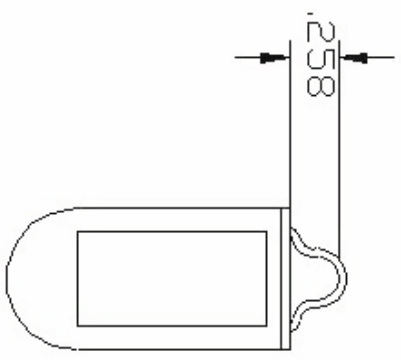
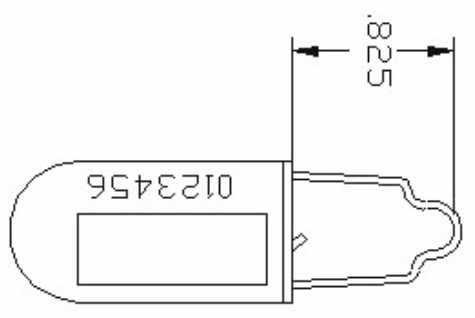
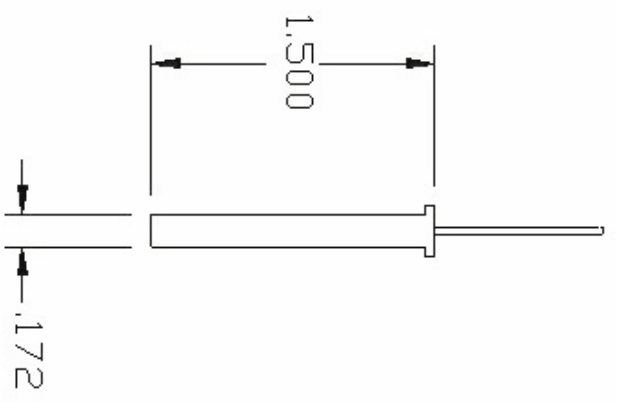
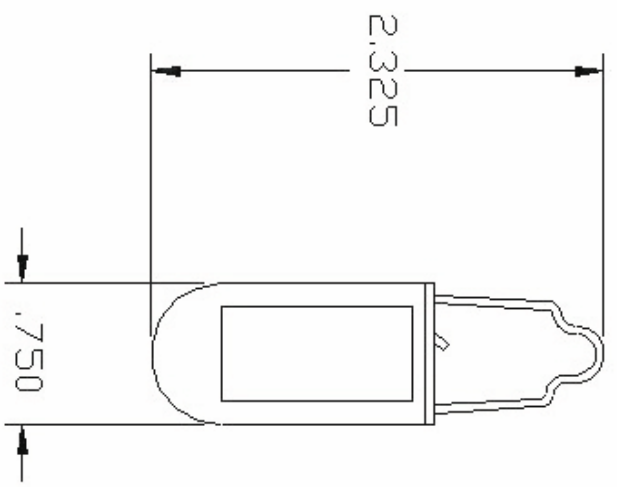
LOCKING INSTRUCTIONS

- ✂ Remove one side of the wire hasp and insert through item to be secured.
- ✂ Reinsert the wire hasp and close wire with your hand until it becomes flush with the plastic body.
- ✂ Scored hasps are removed by grasping body and twisting wire hasp until it snaps then remove seal and dispose of properly
- ✂ Unscored hasps are required to be removed with wire cutters
- ✂ Record seal number as required, if the optional write on area is available add name, date, or other necessary information

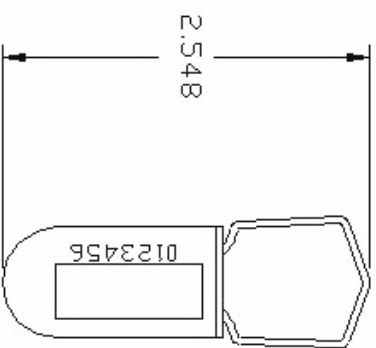
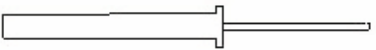
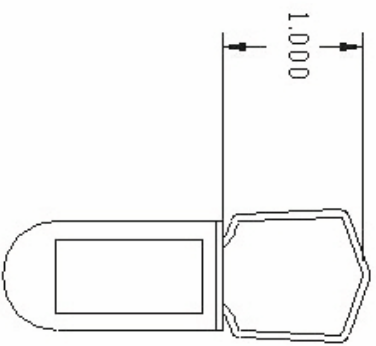
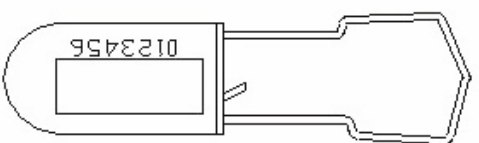
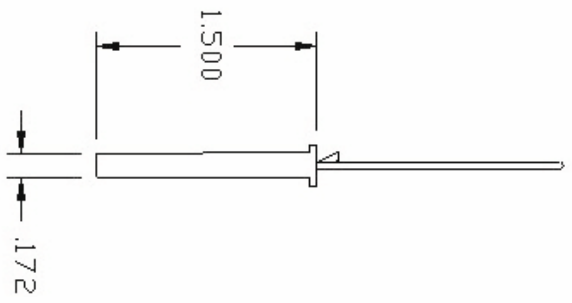
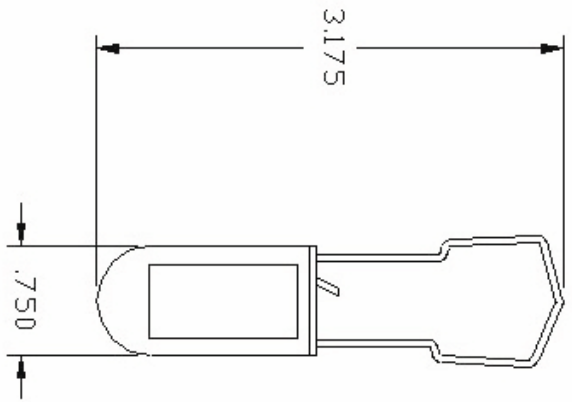




Plastic Padlock – Regular Hasp



Plastic Padlock - Coaxial Hasp



Plastic Padlock - Straight Hasp